



DIMENSIONS AND AVAILABLE FORMS

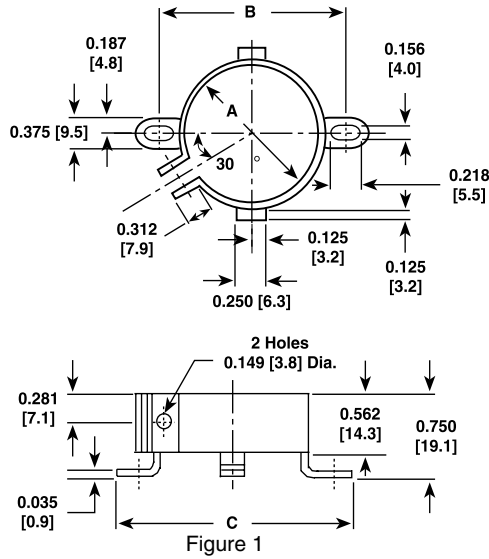


Figure 1

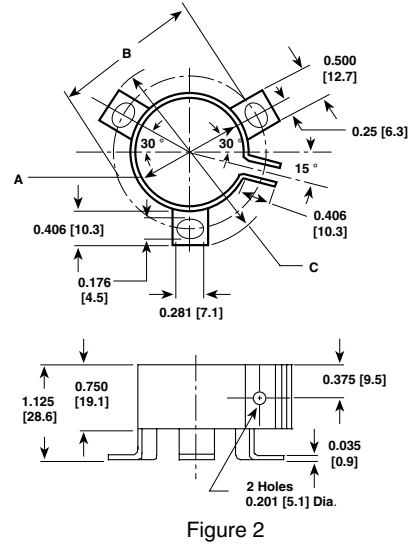


Figure 2



Pb-free
Available
RoHS*
COMPLIANT

DIMENSIONS in inches [millimeters]

BRACKETS (RoHS COMPLIANT)

TYPE	PART NUMBER	A	B	C	FIGURE NUMBER
2 Feet	1245860035A	1.375 [34.9]	1.781 [45.2]	2.218 [56.3]	1
3 Feet	1245860036A	2.000 [50.8]	2.500 [63.5]	2.875 [73.0]	2
3 Feet	1245860037A	2.500 [63.5]	3.000 [76.2]	3.375 [85.7]	2
3 Feet	1245860038A	3.000 [76.2]	3.500 [88.9]	3.875 [98.4]	2

SCREW INSERT TERMINAL DIMENSIONS

TERMINAL CODE	THREAD	THREAD DEPTH	HEIGHT J ± 0.032 [0.81]	DIAMETER S ± 0.010 [0.25]	DIAMETER T ± 0.010 [0.25]	NOTES
A	10-32 NF-28	0.219 [5.6]	0.063 [1.6]	0.313 [8.0]	0.438 [11.1]	All cases codes
B	10-32 NF-28	0.375 [9.5]	0.250 [6.4]	0.313 [8.0]	0.438 [11.1]	All cases codes
D	1/4-28 NF-28	0.344 [8.7]	0.093 [2.4]	0.688 [17.5]	-	C & D dia. codes only